

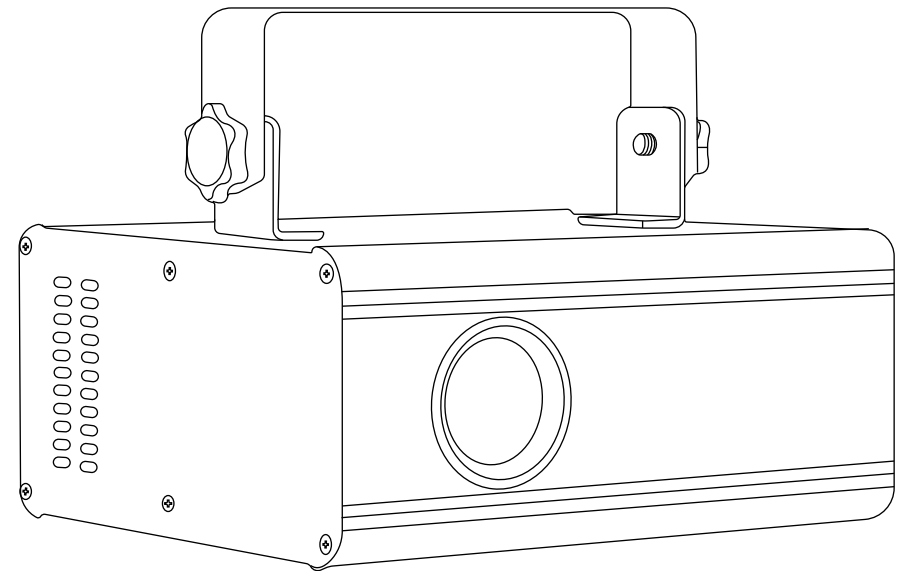


**ALIENPRO**<sup>®</sup>

THE BEST PERFORMANCE



*alienpro.com.mx*



**APOLO**

MANUAL DE USUARIO

## Technical Specifications

1. Power Supply: AC 127V,60Hz
2. Rated Power: 50W
3. Laser Power:Red:150mw/650nm;Green:50mw/532nm;Blue:350mw/445nm
4. Working Mode: Sound Active/ Auto-play/DMX512/Master-Slave
5. Control Signal: DMX512 Signal
6. DMX Control Channels: 16 Channels
7. Scanner System: 10k scanner
8. Operating Temperature: -1°--35°
9. Storage Temperature: -10°--60°
10. Warm-Up Time :< 15 min
11. Laser Classification: 3b
12. Modulation: TTL
13. Net Weight:2.1KG
14. Gross Weight:2.6KG
15. Packing Size:32x24x19cm

## Declaration

This device has left our premises in absolutely perfect condition. In order to maintain this condition and to ensure a safe operation, it is absolutely necessary for the user to follow the safety instructions and warning notes written in this user manual.

We cannot be made liable for damages caused by incorrect installations and unskilled operation!

## Warranty Card

This product is made of high -brightness transistor. We will provide 1 year warranty under the condition that user has operated the light normally and lifetime service. We won't provide warranty if the damage is caused by artificial or force majeure event. Cost of fittings should be charged by user if product need maintenance after 1 year .Please cut this warranty card and shipped it along with the product to our factory when applying for warranty.

Product:	Purchasing date:	Code of invoice:
----------	------------------	------------------

Warranty date: From	To
---------------------	----

User's name:	Add:
--------------	------

Company:	Tel:
----------	------

## Foreword

Thank you for purchasing this product. To optimize the performance of this product,prior to use,please read these operating instructions carefully to get yourself familiar with the basic operation of this unit.Please keep the manual in safe price for future reference.

This unit has been tested at our factory before being shipped to you, there is no assembly required.

Once after received this product , please take and put carefully. And check cautiously that whether the product was damaged or not during the transportation.

## Checking Parts

Please check if the following parts are included:

- 1 x Laser Light
- 1 x Power cable
- 1 x User manual

## Caution

**Danger Laser Radiation!**

**Avoid direct eye exposure!**

**Laser radiation can cause eye damage or skin damage**

**All protective measures for a safe operation of this laser must be applied.**

## Installation

1. Please check the voltage whether is the same with the one showed on the equipment or not.
2. It must ask for the technical person and set the light safety when installation. And let the light beam at the suitable angle.
3. When install this equipment please make sure there's no flammable surfaces (decorated things, etc) within at least 2.5M and maintain minimum distance of 0.5M from the equipment to the walls.
4. Please make sure that there's no other equipment or decorating materials obstructed the exhaust fan and the vent-pipe.
5. Products should be install immobility.
6. In case of safety, it's very important that to connect the earth with line.

## Attention

- 1.Please do not open the bottom cover yourself without permission.Operate it accord the user manual. Call the technician when the machine breaks down.
- 2.Please do not see the laser beam directly to avoid any damage.
- 3.Before connect or disconnect the power, please adjust the luminance of the laser diode to the least to avoid any damage to the laser diode.
- 4.This unit should be keep dry, do not use in the rain and dusty environment. It can be use in the outdoor with the water-proof cover protector.
5. Set the light immobility and try to avoid strong shake or hit.
- 6.Prevent dust into the equipment to avoid problems.
- 7.Please keep that there's no other equipment or decorating materials obstructed the exhaust fan and the vent-pipe when the equipment was working.

## Attention

8. Before connect power, check the plug is immobility or not, power line should be connect well.
9. Please do not open or close the equipment frequently that's to avoid any affect to the life span of the laser diode, and try the best to avoid the long time working.
10. Due to the characteristic of the laser diode, after four hours working, it should be close at least 25 minutes until the laser diode cooling then work again.
11. Don't touch the light or draw the power line when your hand was wet. And do not pull the electronic power line.
12. Maintain the distance at least 3M above from the equipment to the object.
13. This equipment does not have any parts can repair for the users, please do not open the equipment.
14. When the laser diode became dim or damaged please contact the dealer timely.
15. When you want to retransfer the products, you'd better use the original package to shockproof.

## Function Instructions

1. When dip switch 1 is set to the "ON" position, the unit works in auto mode.
2. When all dip switches are set to the "OFF" position, the unit works in sound -active mode.
3. When it is controlled by DMX 512, Dip switch 10 must be "on". other dip switches are address code.

Channel	Function	Value	Details
CH1	Control Mode	0~63 64~127 128~191 192~255	Close light Sound Active Auto-Play DMX Control(Manual adjust)
CH2	Color	0~20 21~41 42~62 63~83 84~104 105~125 126~146 147~167 168~188 189~209 210~230 231~251 252~255	No function Original color Red Yellow Green Cyan Blue Purple White Auto-change color randomly Auto-change single color randomly Seven color change Dotting effect
CH3	Select Pattern	0~255	32 Patterns (0-255) /8=0~31
CH4	Select Pattern Group	0~255	4 Pattern groups (0-255) /64=0~3
CH5	Horizontal Rotate	0~127 128~191 192~255	Horizontal rotation (0~360 degree) Horizontal clockwise rotation speed (8 grade) Horizontal counter - clockwise rotation speed (8 grade)
CH6	Vertical Rotate	0~127 128~191 192~255	Vertical rotation (0~360 degree) Vertical clockwise rotation speed (8 grade) Vertical counter - clockwise rotation speed (8 grade)

## Channel Instruction

CH7	Centre Rotate	0~127 128~191 192~255	Centre rotation (0~360 degree) Centre clockwise rotation speed (8 grade) Centre counter - clockwise rotation speed (8 grade)
CH8	Horizontal Move	0~127 128~255	Horizontal move Horizontal movement speed (8 grade)
CH9	Vertical Move	0~127 128~255	Vertical move Vertical movement speed(8 grade)
CH10	Horizontal Stretch	0~64 65~127 128~255	Horizontal stretch(Manual adjust) Horizontal stretch(Auto adjust) Horizontal stretch speed (8 grade)
CH11	Vertical stretch	0~64 65~127	Horizontal stretch(Manual adjust) Horizontal stretch(Auto adjust)
CH12	Pattern Size	0~2 3~127 128~169 170~211 212~255	Original size Pattern size from small to big (127 grade) Pattern dynamic zoon from small to big (41 grade) Pattern dynamic zoom from big to small (41 grade) Pattern dynamic cycle zoom (41 grade)
CH13	Slow Drawing	0~3 4~255	No function Slow drawing speed (16 grade)
CH14	Scanning Speed	0~2 3~255	Default scanning speed (value:6) 252 grade scanning speed
CH15	Color Speed	0~255	256 grade(slow to fast)
CH16	Strobe Speed	0~255	9 grade strobe speed (0-255) /31=0~8(0 grade no flash)

## Maintenance

Maintenance should be performed every 15-day period, by using a sponge which is dipped with alcohol, rather than wet cloth or other chemical liquid, to clean the mirror. Always disconnect from the mains when the device is not in use or before cleaning it.

## Warning

Power must be disconnected before maintenance or repair. Do not look at the light source directly To prevent or reduce the risk of electrical shock or fire.do not expose this unit to high temperature/rain or moisture.

## Note:

Don't separate laser machine from laser power and repair them by yourself, otherwise no good repair service will be supplied.