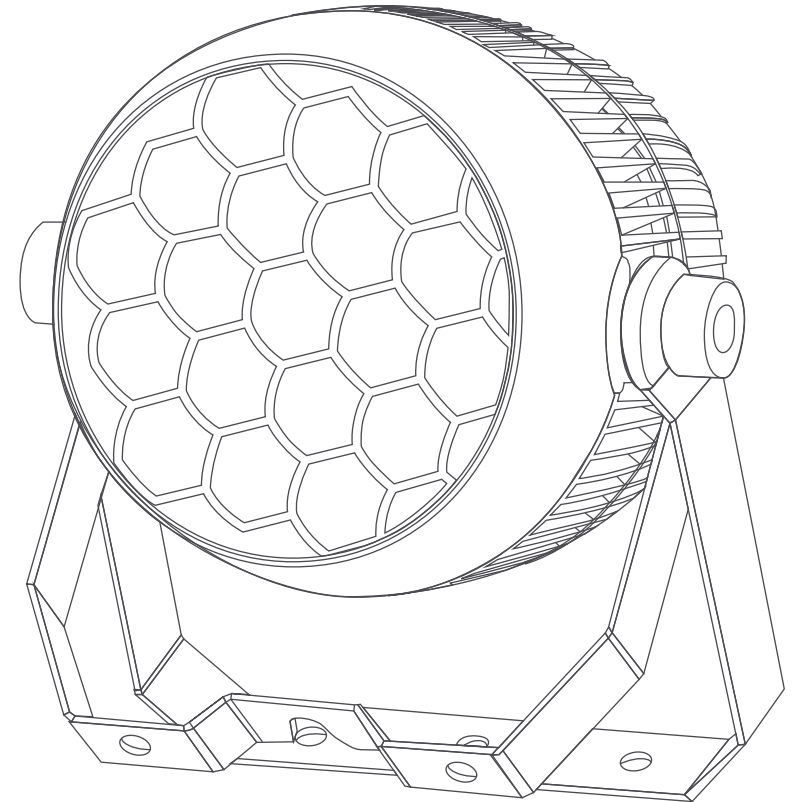


STAGEPRO®

STAGEPRO®



**Par 19X15**  
**RGBW ZOOM**

MANUAL DE USUARIO

## Foreword

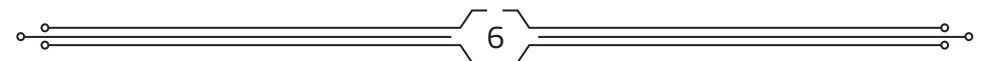
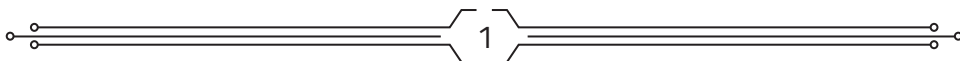
Thanks for using our LED Stage Lighting Equipment. Before using, please read the instruction carefully. The instruction include important installing and using information. Please use the fixtures following the instruction and keep the user manual properly.

## Notice

- 1.- Before installation, please check whether the mechanical fasteners are loose due to transportation and maintain regularly.
- 2.- To maintain voltage stability, otherwise easy to cause the lamp damage.
- 3.- Please check the voltage before turning on the light, it is not suitable for regular switching power supply.
- 4.- In order to ensure the service life of the product, please keep dry and ventilated.
- 5.- Strictly prohibit live installation, disassemble. Products appear abnormal, do not disassemble, please do that with professional maintenance.
- 6.- After checking everything is normal, fit the bracket, adjust the angle, connect the power supply and ground wire.  
  
Power it on; after power on, the computer board will automatically self inspection for about 30 seconds, if self-test completed then can finish before operation.
- 7.- Do not look directly at the lamp light source, so as not to damage the eyes.
- 8.- Please connect the wire with 2m<sup>2</sup> square meters or more.
- 9.- In the lamps around 0.5 meters, do not put flammable and explosive substances, please don't use the process, do not touch the light body by hand.
- 10.- In the lighting installation and maintenance of handling, please make sure that the lamp body power is disconnected

## Channel Mode

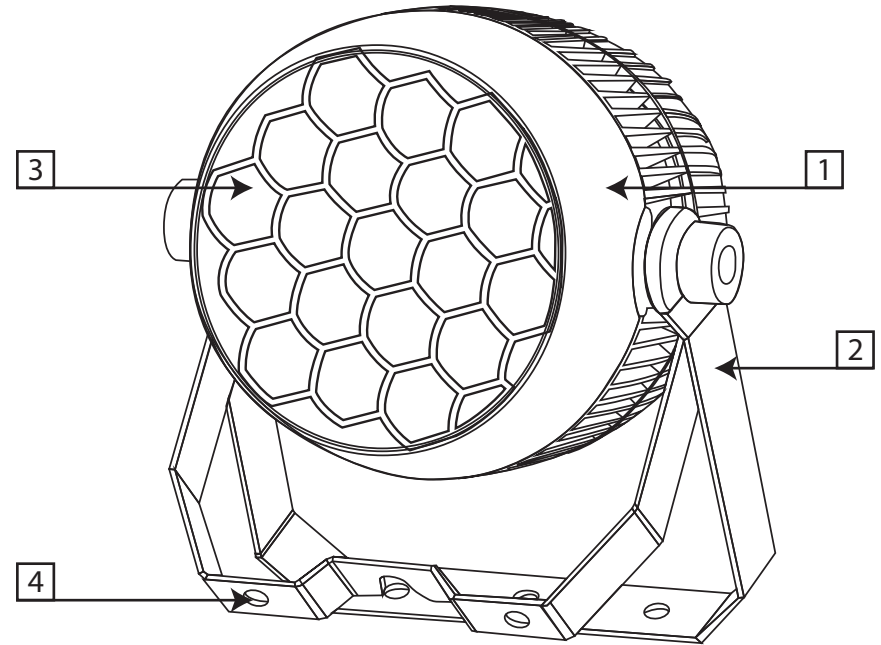
3CH	7CH	9CH	FUNCTION	DMX ADDRESS	DESCRIPTION	
		4	Color temperature or color	45-49	3000	
				50-54	3200	
				55-59	3300	
				60-64	3700	
				65-69	4300	
				70-74	4500	
				75-79	4600	
				80-84	5000	
				85-89	5500	
				90-94	5600	
				95-99	6500	
				100-104	Light yellow	
				105-109	green	
				110-114	pink	
				115-119	orange	
				120-124	Orange with yellow	
				125-129	UV	
				130-134	No function	
				135-174	Color run from fast to slow clockwise	
				175-179	stop	
180-219	Color run from slow to fast anticlockwise					
220-224	No function					
225-255	Random color from fast to slow					
	4	5	Red dimmer	0-255	Red dimmer from dark to light	
	5	6	Green dimmer	0-255	Green dimmer from dark to light	
	6	7	Blue dimmer	0-255	Blud dimmer from dark to light	
	7	8	White dimmer	0-255	White dimmer from dark to light	
			9	Color change	0-7	No function
					8-39	From red to yellow
					40-71	From yellow to green
					72-103	From green to cyan
					104-135	From cyan to blue
					136-167	From blue to magenta
					168-199	From magenta to red
	200-231	From red to white				
	232-255	Color change from slow to fast				



## Channel Mode

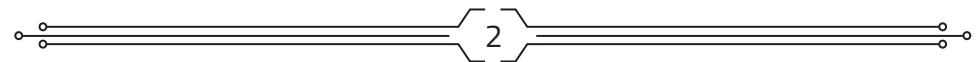
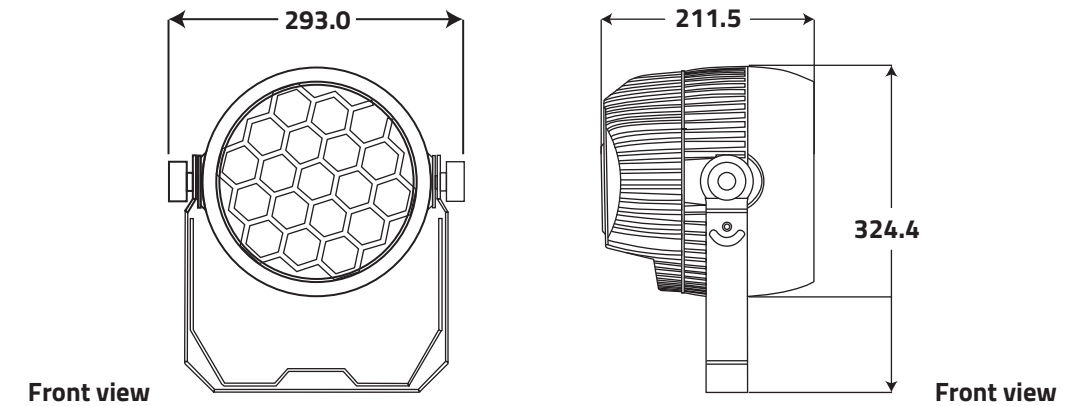
3CH	7CH	9CH	FUNCTION	DMX ADDRESS	DESCRIPTION				
1	1	1	Beam strobe	00-19	Strobe off				
				20-24	Strobe on				
				25-64	Strobe from fast to slow				
				65-69	Strobe on				
				70-84	Strobe in from fast to slow				
				85-89	Strobe on				
				90-104	Strobe out from fast to slow				
				105-109	Strobe on				
				110-124	Random strobe from fast to slow				
				125-129	Strobe on				
				130-144	Strobe in from fast to slow				
				145-149	Strobe on				
				150-164	Strobe out from fast to slow				
				165-169	Strobe on				
				170-184	Pulse strobe from slow to fast				
				185-189	Strobe on				
				190-204	Pulse strobe from fast to slow				
				205-209	Strobe on				
				210-224	Strobe from fast to slow				
				225-229	Strobe on				
				230-244	Strobe from fast to slow				
				245-255	Strobe on				
				2	2	2	Dimmer	0-255	Linear dimmer from dark to light
				3	3	3	Focus	0-255	Linear dimmer
		4	Color temperature or color	0-9	No function				
				10-14	red				
				15-19	green				
				20-24	blue				
				25-29	white				
				30-34	2300				
				35-39	2500				
				40-44	2700				

## Part Information



1	Housing	3	Lens
2	Handle screw	4	Handle

## Product Size



## Product Information

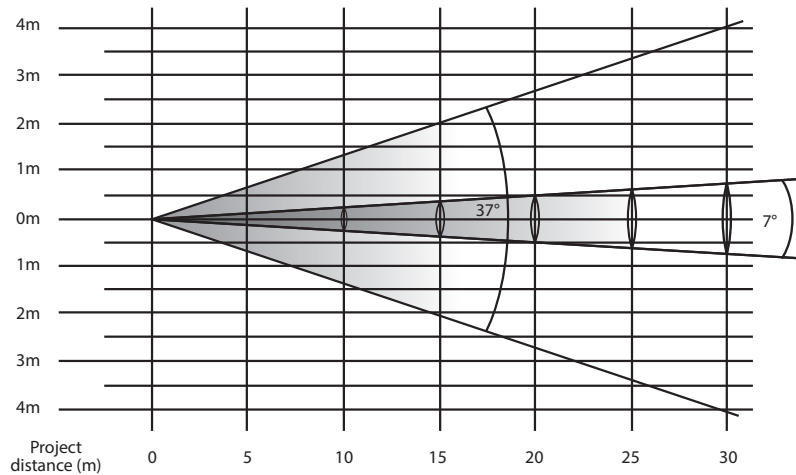
### 1. Specification

- Channel mode: 3/7/9CH;
- Lamp: 19pcsx15W RGBW 4 in 1 LED; :
- Voltage: 110-240V,50/60Hz;
- Power: 300W;
- Lens: French lens,with zoom, Len angel is 8 °
- Beam angle: 7.9-38°;
- Dimmer: 0—100% linear dimmer;
- IP rate: IP20;
- Product Size: 293x211.5x324.4mm;
- Carton size: 640x380x380mm;
- Net weight: 5.6 KG;

Note : When beam angle=7.9° can make a clear spot, more than this angle can make as wash.

### 2. Luminous

#### Luminous diagram



#### Lumen

DISTANCE	10 m		20 m		30 m	
	Illumination	Spot Size	Illumination	Spot Size	Illumination	Spot Size
Illumination	2091	∅1.29m	523	∅2.59m	232	∅3.88m
Spot Size	360	∅6.5m zoom	90	∅13.02m zoom	40	∅19.53m zoom

## Control Panel

MENU	Sub menu	Function	
DmxAddr	001-512	DMX address number	
Run Mod	Slave	Slave mode	
	Auto	Auto run mode	
	Sond	Sound control mode	
ChanMod	3CH	3 Channels mode	
	7CH	7 Channels mode	
	9CH	9 Channels mode	
Display	Bckligh	ON	Back-light always on
		1Min	Back-light off after 1 mins
		2Min	Back-light off after 2 mins
	MenuBak	3Min	Back-light off after 3 mins
		Off	Menu back off
		1Min	Menu back after 1 mins
	DmxFlsh	2Min	Menu back after 2 mins
		3Min	Menu back after 3 mins
		Off	Back-light flash off
Tool	On	Back-light flash on	
	Focus	0-255	Focus motor calibrate
	L Brand	CN	Chinese led Lamp brand
		OSM	OSRAM
	Balance	White SW	White balance switch
		Red(50-255)	White balance red
		Green(50-255)	White balance green
		Blue(50-255)	White balance blue
		White(50-255)	White balance
	DmxClea	Off	No dmx signal stay
		On	No dmx signal clear
	DefCfig	Off	Keep the present set
On		Back to default set	
Manual	Strobe	0-255	Strobe
	Dimmer		dimmer
	Focus		focus
	ColorM		Color wheel mode
	Red		red
	Green		green
	Blue		blue
	White		white
ColorF	Color change		
Info	RunTime	0000-9999	Run time
	DisVers	Vx.xx	Software version
	Temp	0-125	Temperature of metal aluminum
Rest	No	No	Rest off
	Yes	Yes	Reset on