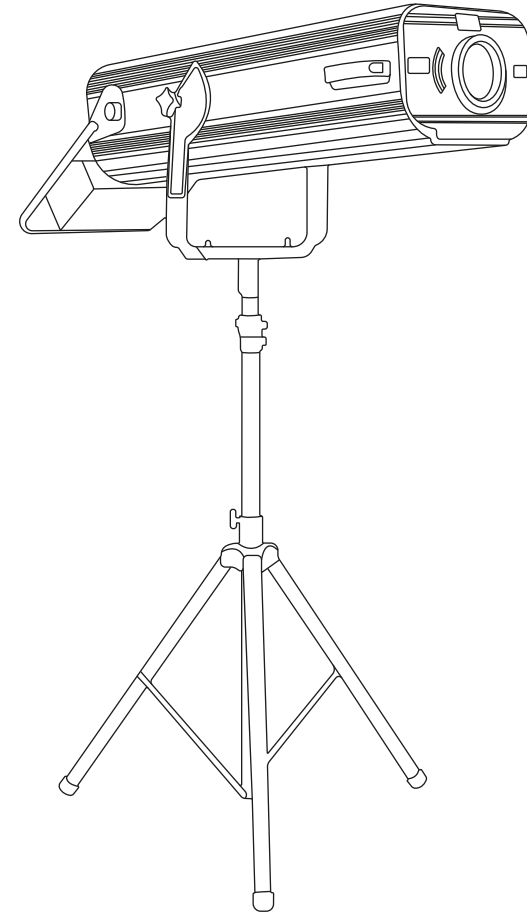




*alienpro.com.mx*



# SEGUIDOR 7R

MANUAL DE USUARIO

## Foreword

Thank you for purchasing our product. Before using it please read the manual to identify the functions and correct operation of your product.

## Safety Instruction



### WARNING

Please read carefully the instruction, which includes important information about the installation, usage and maintenance

- Please keep this User Guide for future consultation. If you sell the unit to another user, be sure that they also receive this instruction booklet
- Unpack and check carefully there is no transportation damage before using the unit.
- Before operating, ensure that the voltage and frequency of power supply match the power requirements of the unit
- It's important to ground the yellow/green conductor to earth in order to avoid electric shock.
- The unit is for indoor use only. Use only in a dry location
- The unit must be installed in a location with adequate ventilation, at least 50cm from adjacent surfaces. Be sure that no ventilation slots are blocked
- Disconnect main power before replacement or servicing.
- Make sure there is no flammable materials close to the unit while operating as it is fire hazard.
- Use safety cable when fixes this unit. Don't handle the unit by taking its head only, But always by taking its base.
- Unit surface temperature may reach up to 85 °C. Dont touch the housing bare-hand during its operation.
- Turn off the power and allow about 15 minutes for the unit to cool down before replacing or serving.

## Warning

- To prevent or reduce the risk of electrical shock or fire, do not expose the unit the rain or moisture.
- Do not open the unit within five minutes after switching off.
- The housing, the lenses, or the ultraviolet filter must be replaced if they are visibly damaged.

## Caution

There are no user serviceable parts inside the unit. Do not open the housing or attempt any repairs yourself. In the unlikely event your unit may require service, please contact your nearest dealer.

## Installation

The unit should be mounted via its screw holes on the bracket. Always ensure that the unit is firmly fixed to avoid vibration and slipping while operating. And make sure that the structure to which you are attaching the unit is secure and is able to support a weight of 10 times of the unit's weight. Also always use a safety cable hold 12 times of the weight of the unit when installing the fixture.

## Manual Control

1. Turn on the power or press "RESET/MODE" button until the LED closes.
2. Press "LIGHT ON", can open or close the shutter.
3. Press "LIGHT ON" and don't release, then press "+" or "-" can do the dimming.
4. Press "STROBE" can open or close the strobe function.
5. Press "STROBE" and don't release, then press "+" or "-" can adjust the strobe speed.
6. Press "COLOR-COLOR5" can choose the color you want.
7. Press one button of "COLOR-COLOR5" and don't release, then press "+" or "-" can open the rainbow effect and adjust its speed.
8. Press "ZOOM+" or "ZOOM-" can adjust the aperture sizes.

## Scenes Programming

1. Adjust it to the output of you want under the manual control.
2. Press "RESET/MODE" don't release until the 8 LEDs of corresponding SCENES position are all bright.
3. Press one button of "SCENES-SCENES8", the SCENES have saved in that SCENES button, and exit SCENES running status.
4. Repeat the operation from 1 to 3 until the 8 SCENES are all be saved.

## Scenes Running

1. Press "RESET/MODE" until the LED is bright.
2. Choose "SCENES-SCENES8" at any time, get the corresponding SCENES output.
3. Press "STROBE", can get a "black market" function or SCENES output.

## Back Side Print

- RESET/MODE
- STROBE
- SHUT
- ZOOM
- FOCUS
- WHITE
- RED
- YELLOW
- BLUE
- GREEN
- PRECEDURE
- BLANK SCREEN
- OPEN/CLOSE LIGHT
- APERTURE
- FOCUSING