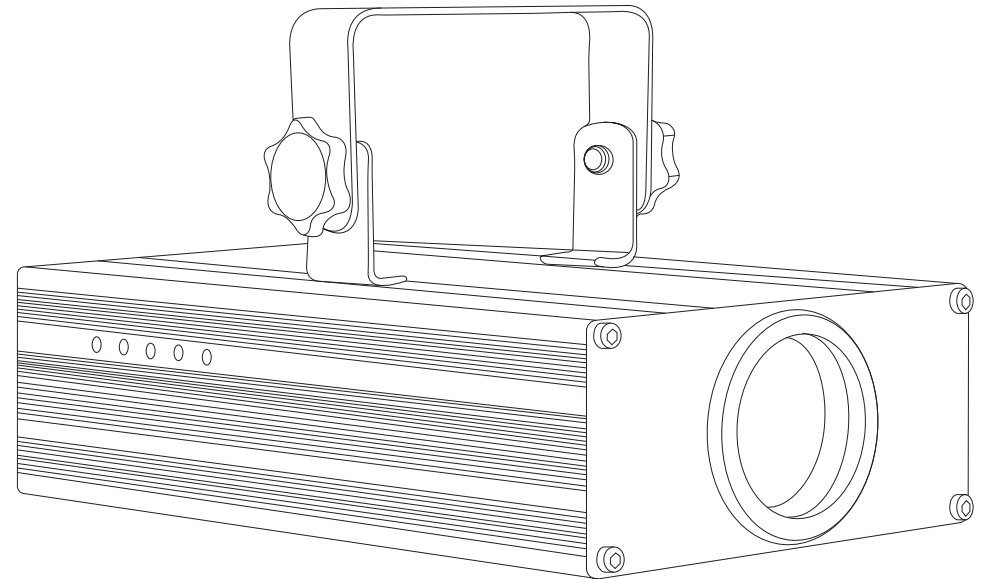




alienpro.com.mx



Declaration

This device has left our premises in absolutely perfect condition. In order to maintain this condition and to ensure a safe operation, it is absolutely necessary for the user to follow the safety instructions and warning notes written in this user manual.

We cannot be made liable for damages caused by incorrect installations and unskilled operation!

Warranty Card

This product is made of high-brightness transistor. We will provide 1 year warranty under the condition that user has operated the light normally and lifetime service. We won't provide warranty if the damage is caused by artificial or force majeure event. Cost of fittings should be charged by user if product need maintenance after 1 year .Please cut this warranty card and shipped it along with the product to our factory when applying for warranty.

Product:	Purchasing date:	Code of invoice:
----------	------------------	------------------

Warranty date: From	To:
---------------------	-----

User's name:	Add:
--------------	------

Company:	Tel:
----------	------

Foreword

Thank you for purchasing this product. To optimize the performance of this product, prior to use, please read these operating instructions carefully to familiarise yourself with the basic operation of this unit. Please keep the manual in safe place for future reference.

This unit has been tested at our factory before being shipped to you, there is no assembly required.

Once after received this product , please take and put carefully. And check cautiously that whether the product was damaged or not during the transportation.

Checking Parts

Please check if the following parts are included:

- 1 x Laser light
- 1 x Power cable
- 1 x User manual

Danger Laser Radiation!

Avoid direct eye exposure!

Laser radiation can cause eye damage or skin damage

All protective measures for a safe operation of this laser must be applied.

Installation

1. Please check the voltage whether is the same with the one showed on the equipment or not.
2. It must ask for the technical person and set the light safety when installation. And let the light beam at the suitable angle.
3. When install this equipment please make sure there's no flammable surfaces (decorated things, etc) within at least 2.5M and maintain minimum distance of 0.5M from the equipment to the walls.
4. Please make sure that there's no other equipment or decorating materials obstructed the exhaust fan and the vent-pipe.
5. Products should be install immobility.
6. In case of safety, it's very important that to connect the earth with line.

Attention

1. Please do not open the bottom cover yourself without permission. Operate it accord the user manual. Call the technician when the machine breaks down.
2. Please do not see the laser beam directly to avoid any damage.
3. Before connect or disconnect the power, please adjust the luminance of the laser diode to the least to avoid any damage to the laser diode.
4. This unit should be keep dry, do not use in the rain and dusty environment. It can be use in the outdoor with the water-proof cover protector.
5. Set the light immobility and try to avoid strong shake or hit.
6. Prevent dust into the equipment to avoid problems.
7. Please keep that there's no other equipment or decorating materials obstructed the exhaust fan and the vent-pipe when the equipment was working.
8. Before connect power, check the plug is immobility or not, power line should be connect well.
9. Please do not open or close the equipment frequently that's to avoid any affect to the life span of the laser diode, and try the best to avoid the long time working.
10. Due to the characteristic of the laser diode, after four hours working, it should be close at least 25 minutes until the laser diode cooling then work again.

Attention

11. Don't touch the light or draw the power line when your hand was wet. And do not pull the electronic power line.
12. Maintain the distance at least 3M above from the equipment to the object.
13. This equipment does not have any parts can repair for the users, please do not open the equipment.
14. When the laser diode became dim or damaged please contact the dealer timely.
15. When you want to retransfer the products, you'd better use the original package to shockproof.

Function Instructions

1. When dip switch No.10 is set to the "ON" position, the unit works in auto mode.
2. When all dip switches are set to the "OFF" position, the unit works in sound-active mode.
3. Auto-play (Master-slave synchronization): when master laser dip switch setting to No.10, the light will run the settled program automatically, meanwhile, it will have DMX512 signal's output; Just one light could be settled to be master. Setting slave: you should put dip switch No.1 in "on"
4. Sound active (Master-slave synchronization): when all dip switches are turned off, the light is in sound-active mode. In this condition, the light will run program along with music, meanwhile, it will have DMX512 signal's output. Just one light could be settled to be master. Setting slave: you should put dip switch No.1 in "on".
5. Address code function mode setting.

	Mode	Binary code (ON)
1	DMX-512 mode. Slave mode	1-9: Setting address code 10: OFF
2	Sound active mode. Master mode	1-10: OFF
3	Auto play mode. Master mode	1-9: OFF 10: ON
4	Square test pattern	9, 10: ON 1, 2, 3, 4, 5, 6, 7, 8: OFF
5	Dot text pattern	8, 9, 10: ON 1, 2, 3, 4, 5, 6, 7: OFF

Channel Instruction

Channel	Value	Description
CH1	0~63	Close light
	64~127	Patterns control
	128-191	Auto-play
	192-255	Sound active
CH2	0~255	Choose patterns
CH3	0~63	Choose patterns size
	64~127	From small to large, speed up rate
	128-191	From large to small, speed up rate
	192-255	Large – small – large, speed up rate
CH4	0~127	Choose rotation angle
	128~191	Auto clockwise rotation, speed up rate
	192~255	Auto anti-clockwise rotation, speed up rate

Channel Instruction

CH5	0~127	Choose horizontal position
	128~255	Horizontal move, speed up rate
CH6	0~127	Choose Vertical position
	128~255	Vertical move, speed up rate
CH7	0~127	Choose horizontal roll position
	128~255	Horizontal roll, speed up rate
CH8	0~127	Choose Vertical roll position
	128~255	Vertical roll, speed up rate
CH9	0~127	Fixed color mode
	128~159	Color change
	160~191	Running water color change 1
	192~223	Running water color change 2
CH10	224~255	Running water color change 3
	0~255	Color change speed

Maintenance

Maintenance should be performed every 15-day period, by using a sponge which is dipped with alcohol, rather than wet cloth or other chemical liquid, to clean the mirror. Always disconnect from the mains when the device is not in use or before cleaning it.

Warning

Power must be disconnected before maintenance or repair. Do not look at the light source directly

To prevent or reduce the risk of electrical shock or fire, do not expose this unit to high temperature/rain or moisture.

Note

Don't separate laser machine from laser power and repair them by yourself, otherwise no good repair service will be supplied.

Technical Specifications

1. Power Supply: AC 127V, 60Hz
2. Rated power: 13W
3. Laser: 200mW/650nm, 50mW/532nm, 150mW/450nm
3. Working mode: Sound Active/ Auto-play/DMX512/Master-Slave
4. Control signal: DMX512 signal
5. DMX channels: 10
6. Operating temperature: -1°--35°
7. Storage temperature: -10°--60°
8. Warm-Up time: <15 min
9. Modulation: TTL